

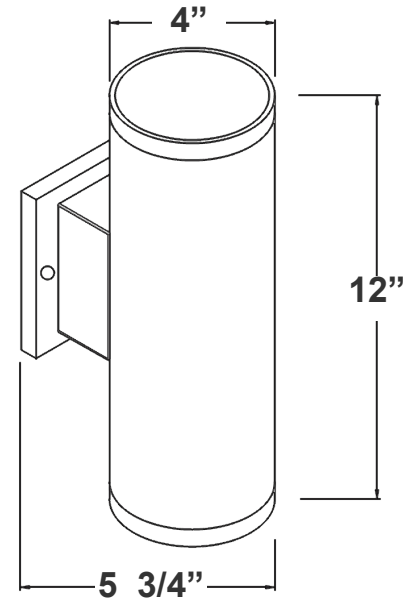
WMC4 SERIES Outdoor Lighting

WMC4-UDL-MCTP-BK-DD-P
WMC4-UDL-MCTP-BR-DD-P
WMC4-UDL-MCTP-BN-DD-P
WMC4-UDL-MCTP-AZ-DD-P
WMC4-UDL-MCTP-WH-DD-P
4" LED CYLINDER LIGHTS, 120-277V WITH PHOTOCELL CUP/DOWN LIGHT)
MCTP Multi Color Temperature & Multi Power/Wattage (Selectable)

Customer Name: _____
Project Name: _____
Note: _____ | Type: _____



The 6" LED Cylinder Light offers versatile illumination with both up and down lighting capabilities, perfect for enhancing architectural features in commercial and residential applications. Operating on a wide voltage range of 120-277V, this sleek, energy-efficient fixture includes a photocell for automatic dusk-to-dawn operation. With durable construction and modern aesthetics, it's ideal for outdoor facades, entryways, and walkways, providing reliable, energy-saving lighting that adapts to changing daylight conditions.



4" x 12" x 5-3/4"

Features

- LED: COB Technology with Prismatic Reflector and Frosted Lens
- Housing: Die-Cast Aluminum
- Outdoor Wall Cylinders
- 7-Year Warranty
- MCTP: Multi Color Temperature & Multi Power/Wattage (Selectable Switch Under the Mounting Arm)

Technical Specifications

Electrical:

- Voltage: 120-277VAC 60Hz
- Wattage: 2x12W/2x16W/2x20W
- Power Factor: >0.90
- Efficacy: 80LM/W

Mechanical:

- Outdoor Wall Cylinders
- Housing: Die-Cast Aluminum
- DC Button Photocell with ON/OFF Switch Included
- Uplight/Downlight with ON/OFF Switch
- Finish: Bronze, Brushed Nickel, White, Black, Antique Bronze
- 7-year Warranty
- IP65, Providing a Reliable Weather-Tight Seal

Lighting:

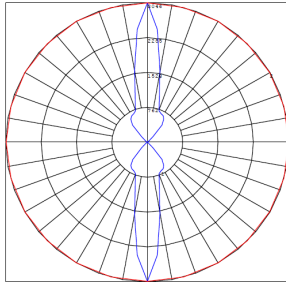
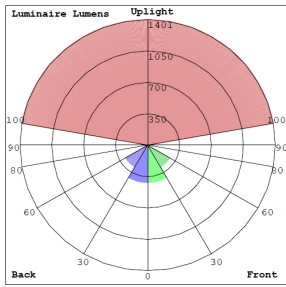
- MCTP: Multi Color Temperature & Multi Power/Wattage (Selectable Switch Under the Mounting Arm)
- Dimming: (Dual Function) Triac Dimmable at 120V & 0-10V Dimming at 120-277V With Installed Emergency Back up Battery
- Lumens Range: 1600LM
- LED: COB Technology With Prismatic Reflector and Frosted Lens
- Light Directions: UP and DOWN
- Color Temperatures: 3000K/4000K/5000K
- Color Rendering Index: CRI ≥ 80
- Beam Angle: 40° for Each Side
- Rated Life: 70,000 Hrs

Applications:

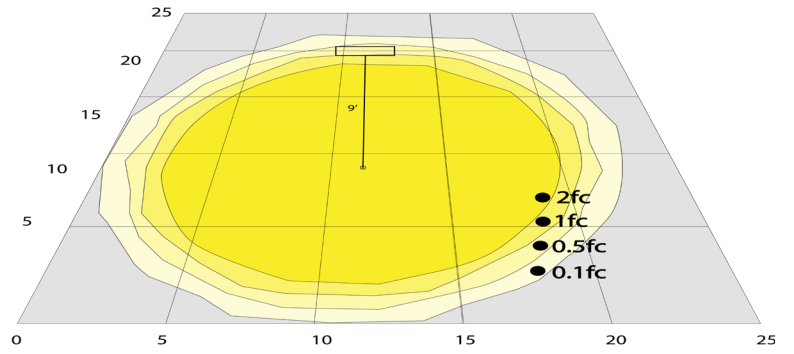
- Ideal for general site lighting, walkways and stairways, alleys, loading docks, doorway, pathway and parking areas



Photometrics: WMC4-UDL-MCTP-DD-P



BUD Rating: B1-U5-G0



Area 25'x 25' Mounting Height: 9'

Other Views:

WMC4-UDL-MCTP-BK-DD-P



Lens View



Side View



Front View



Back View

WMC4-UDL-MCTP-BR-DD-P



Lens View



Side View



Front View



Back View

WMC4-UDL-MCTP-BN-DD-P



Lens View



Side View

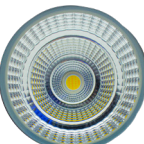


Front View



Back View

WMC4-UDL-MCTP-WH-DD-P



Lens View



Side View



Front View



Back View

WMC4-UDL-MCP-AZ-DD-P



Lens View



Side View



Front View



Back View



Performance Table: WMC4-UDL-MCTP-DD-P

MODEL NO.	Wattage	Voltage	Lumens	Color Temp.	BUG Rating	LPW
WMC4-UDL-MCTP-BK-DD-P	2x12W 2x16W 2x20W	120~277V	960LM 1280LM 1600LM	3000K 4000K 5000K	B1-U5-G0	80
WMC4-UDL-MCTP-BR-DD-P						
WMC4-UDL-MCTP-BN-DD-P						
WMC4-UDL-MCTP-WH-DD-P						
WMC4-UDL-MCTP-AZ-DD-P						

Sample Ordering

Model Light Direction Color Temp. Housing Color Dual Dimming Photocell

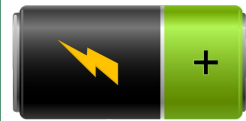
WMC4 - UDL - MCTP - - DD - P

BK = Black
BR = Bronze
BN = Brushed Nickel
WH = White
AZ = Antique Bronze

Factory-Installed Options:

Blank = No Option For Accessories
OPT-EM-WMC= EMERGENCY BACKUP INTERNAL BATTERY, BACK BOX
OPT-227V = FACTORY-INSTALLED OPTION TO CONVERT TO 277V
OPT-SEN-WMC= PROGRAMMABLE MICROWAVE BI-LEVEL SENSOR
WEC-8RC = REMOTE CONTROL

FACTORY-INSTALLED OPTIONS:



OPT-EM-WMC



OPT-SEN-WMC



WEC-8RC

